

## TECHNICAL CHARACTERISTICS

### 1.1 SPECIFICATIONS

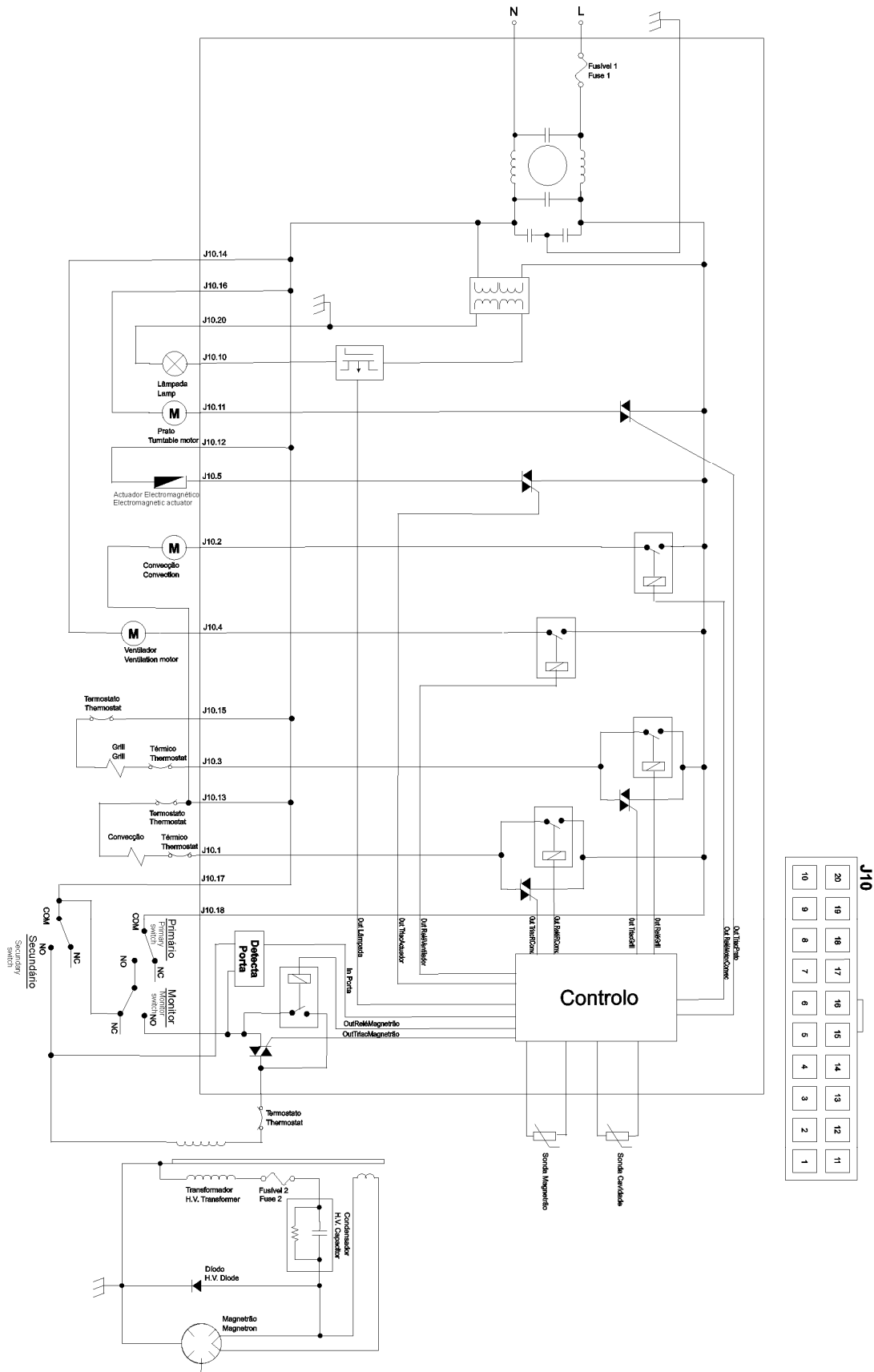
AC line voltage .....	220 V / 60 Hz
Rated power.....	3400 W
Hot air power .....	1700 W
Grill power .....	1550 W
Microwave output power .....	1000 W
Microwave frequency.....	2450 MHz
External dimensions (W×H×D) .....	595 × 455 × 542 mm
Cavity dimensions (W×H×D).....	420 × 210 × 390 mm
Oven capacity.....	32 l
Weight.....	38 kg

### 1.2 MICROWAVE POWER LEVELS

The microwave energy level regulation is performed by connecting the microwave generator circuit during a variable fraction of a 30 seconds cyclic period. For example, an equivalent 50% microwave energy level is obtained by connecting the microwave power circuit for 15 seconds and disconnecting it by the remaining 15 seconds. The following table presents the several energy levels corresponding to the different positions of the energy regulator.

Level	P 00	P 01	P 02	P 03	P 04	P 05
<b>Power (W)</b>	0	200	400	600	800	1000
<b>Time On (s)</b>	0	6	12	18	24	30
<b>Time Off (s)</b>	30	24	18	12	6	0

## 1.3 ELECTRICAL DIAGRAM



Note: Os contactos dos microswitchs estão na situação de porta aberta.